

**For Ships, locomotives, industry,  
civil defence, etc.**



Ref.no. 24780003

### General Information

The Valves TV 10 have been in use for a number of years in ships and railways throughout the world. Together with the TYFON® KT and MKT 75/- series, the sound performance is well in accordance with the UIC regulations (railways).

### Installation

All valves are supplied with choke plugs; therefore **when ordering, state the approximate prevailing pipe line pressure**, so that the valve will be furnished with the correct choke plug (see table).

**Maximum pipe length between whistle and valve:**  
10 m

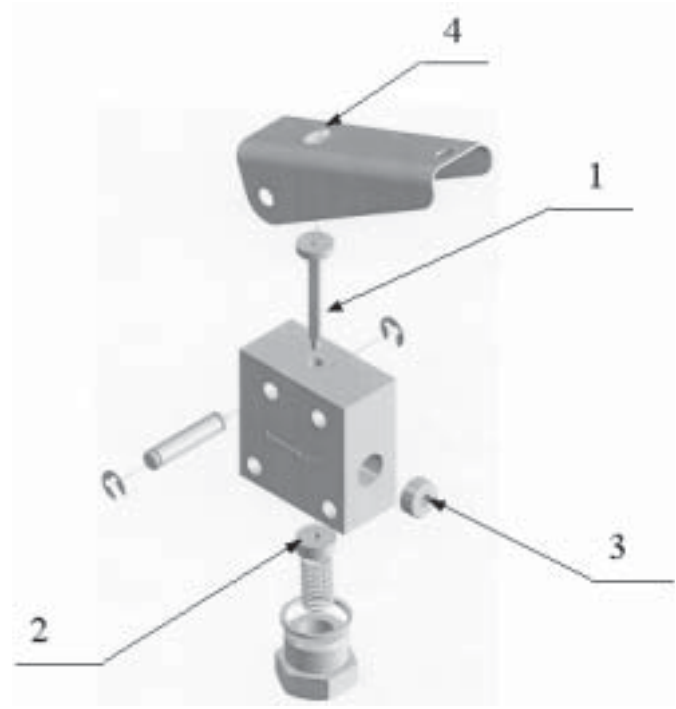
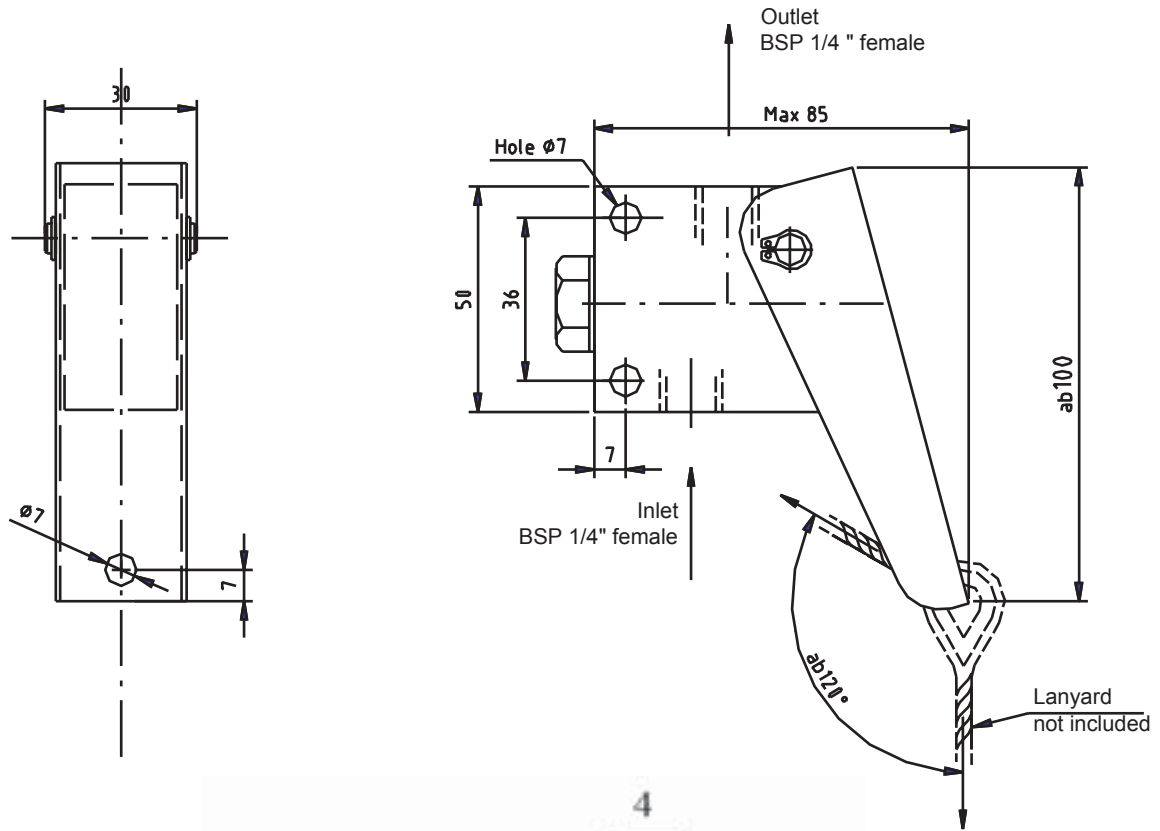
**Note:**

For direct mounting on the whistle use male nipple BSP ¼".

Choke plug dimensions		
Working pressure MPa (overpressure)	Choke size Hole diam.	Ref. no.
0.3 - 0.4	No plug	-
0.4 - 0.6	Ø 4.5	39880516
0.6 - 1.0	Ø 3.0	39880515
1.0 - 1.5	Ø 2.25	-
1.5 - 2.0	Ø 1.75	39880512
2.0 - 2.5	Ø 1.5	-
2.5 - 3.0	Ø 1.25	39880510

**Example:** For one TYFON® type MKT 75/350 with valve TV 10 and maximum pipe line pressure of 0.6 MPa, choose choke hole Ø 3.0.

# Dimensions and Spare Parts



Spare parts			
Item	Name	Material	Ref. No.
1	Valve spindle complete	Brass	398 80 492
2	Valve disc	Brass, rubber	321 70 763
3	Choke plug	Brass	See table
4	Lever	St. steel	217 54 160